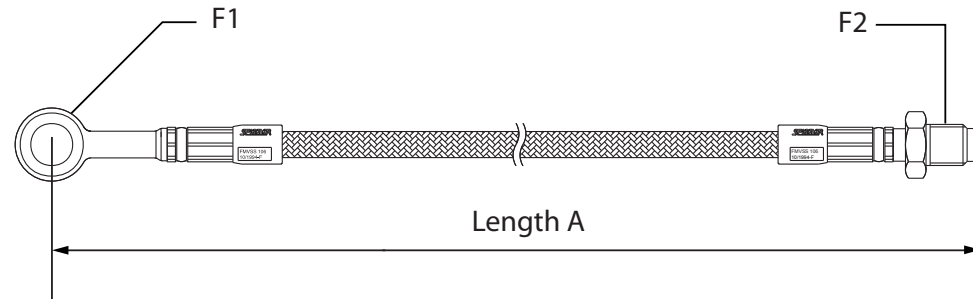
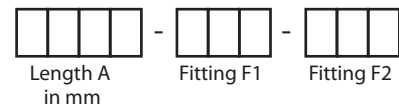


How to measure and order custom brake lines

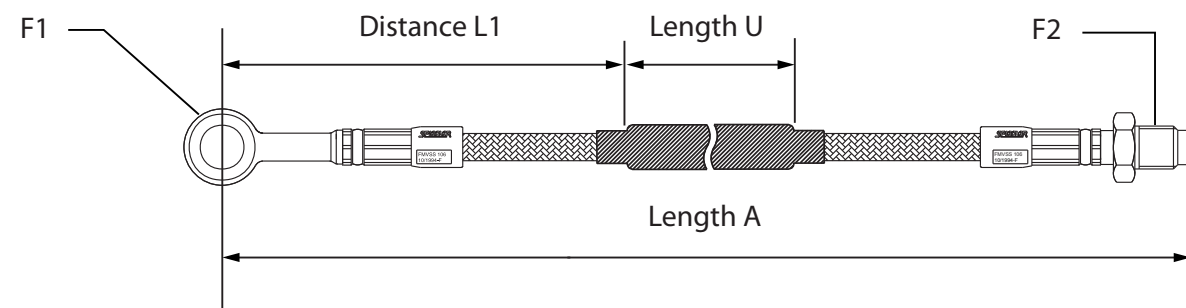
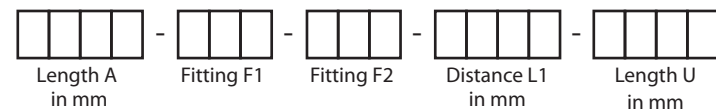
Total brake line lengths are measured from center to center of the banjo fittings, or from end to end of external and internal fittings. To measure length correctly see fittings drawings (L→).

When ordering please indicate exact vehicle specifications (type, year of construction, manufacturer)

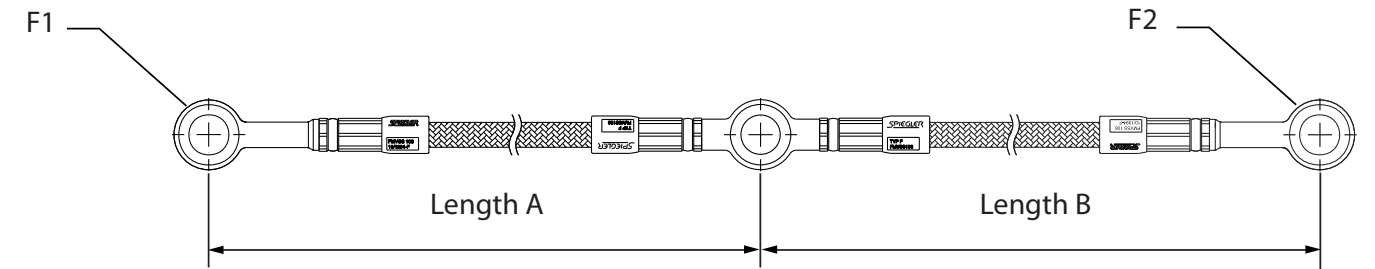
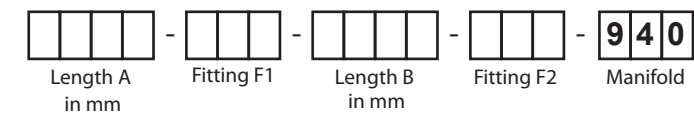
Standard-Line



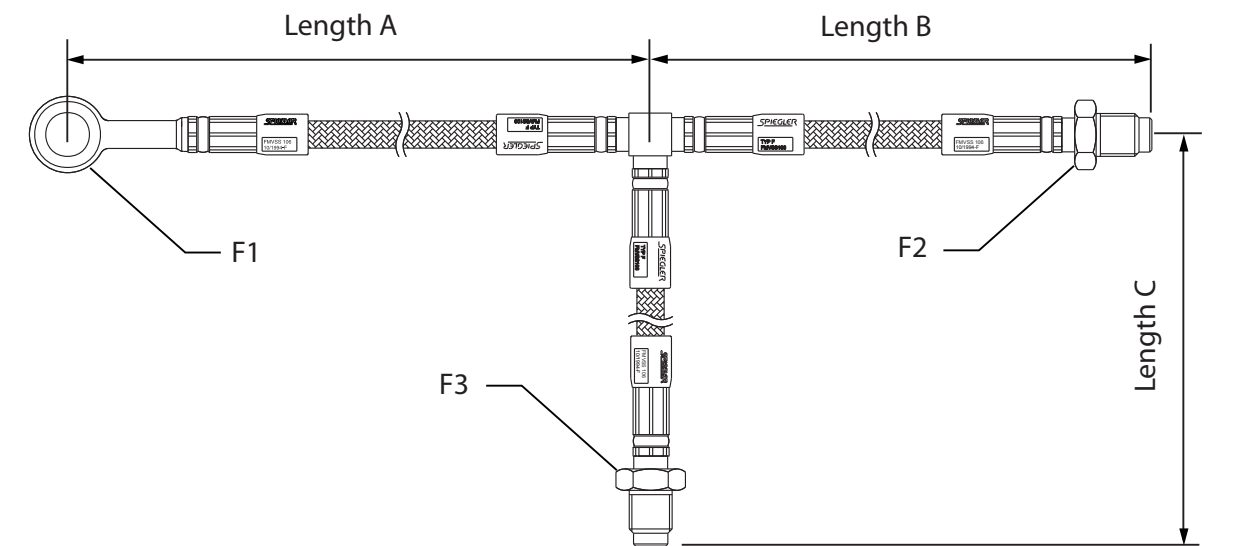
Motocross-Line



Line with manifold Type 940



Line with manifold Type 950



Brake Line Specifications

- Bursting pressure over 1050 bar / 15,000 psi
- Inner Line made of DuPont Teflon PTFE
- Tissue V2A spring steel quality
- Up to 60% weight savings compared to OEM
- Special anodized aluminum fittings
- 25mm minimum bending radius
- Diameter 3.5 mm ID x 6.4 mm OD
- Working temperature between -75 and 260°C or -100 and 500°F
- Resistant to almost all weather conditions
- Non-flammable
- According to USA DOT standard specification FMVSS 106

117 Color Combinations of Lines and Fittings



Choose from any combination of brake line and fitting color to create a customized set.

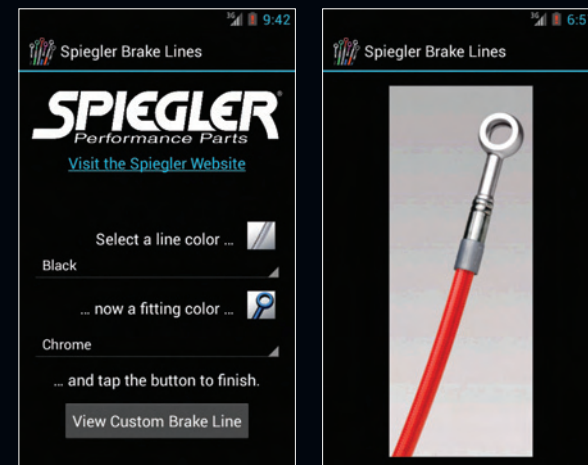
New Brake Line Color - "Vintage Black", old-school look (on far left)

Online Color Selector Tool - www.spieglerusa.com



How to use:
First, click on a brake line color from the 13 listed.
Then, from the drop-down menu that appears, click on any of the 10 fitting colors.
Choose from any of 117 possible color combinations.

Android Phone App - Free Color Selector Tool <https://play.google.com/store>



How to download to your Android Phone:
Go to the Google Play site. Type Spiegler in the Search Bar. Click Download next to the Brakelines Icon.
How to use:
From the menu select a line and fitting color. Tap the button to see your selected color combination.

Choose from any combination of brake line and fitting color to create a customized set.

Color Codes - Example: Bike specific code
KA = Kawasaki with black line and red fittings S-KAXXXX-057

Brake Line Colors	Fitting Colors
01 Clear coated	1 Silver anodized
02 White coated	2 Gold anodized
03 Green coated	3 Chromed
04 Blue coated	4 Blue anodized
05 Black coated	5 Black anodized
06 Orange coated	6 Purple anodized
07 Red coated	7 Red anodized
08 Blue translucent	8 Green anodized
09 Smoke translucent	9 Titanium anodized
10 Red translucent	0 Stainless Steel
11 Yellow coated	
12 Pink coated	
13 Vintage Black	

Brake Line Color Numbers

	01	Clear coated
	02	White coated
	03	Green coated
	04	Blue coated
	05	Black coated
	06	Orange coated
	07	Red coated
	08	Blue translucent
	09	Smoke translucent
	10	Red translucent
	11	Yellow coated
	12	Pink coated
	13	Vintage Black

Please be aware that the brake line material color might look brighter in sunlight or darker in a dim environment. Brake line material colors may not exactly match the color/paint of your bike.

Fitting Color Numbers

	1	Silver anodized
	2	Gold anodized
	3	Chrome
	4	Blue anodized
	5	Black anodized
	6	Purple anodized
	7	Red anodized
	8	Green anodized
	9	Titanium anodized
	0	Stainless Steel



Colors	Silver	Gold	Chrome	Blue	Black	Purple	Red	Green	Titanium	Stainless Steel
Code	11	12	13	14	15	16	17	18	19	SS



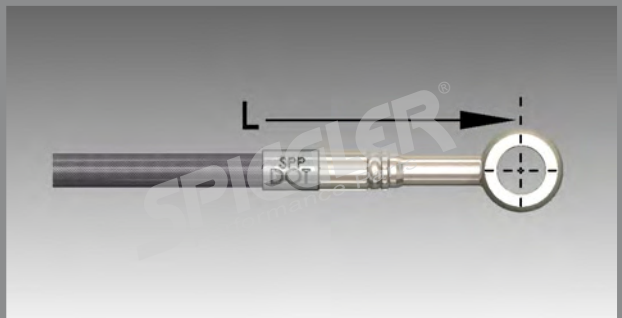





Banjo Fittings - 10mm / 3/8"

SEE PAGE 13 to choose from any one of 9 anodized aluminum fitting colors.








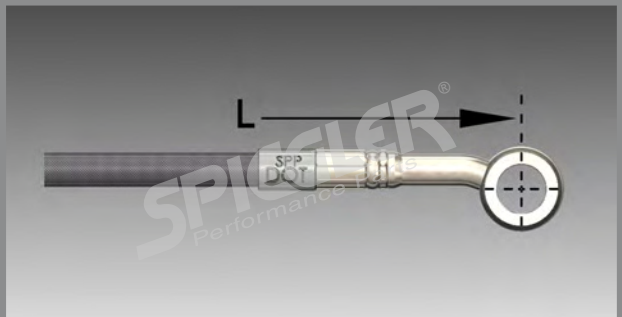
Banjo Fittings - 10mm / 3/8"

SEE PAGE 13 to choose from any one of 9 anodized aluminum fitting colors.

10mm / 3/8"

000	001
	
	
Banjo fitting 10 mm / 3/8"	Banjo fitting 10 mm / 3/8"
Straight	Straight, Short
Available in aluminum or stainless steel	Available in aluminum and stainless steel
002	004
	
	
Banjo fitting 10 mm / 3/8"	Banjo fitting 10 mm / 3/8"
20°	45°
Available in aluminum or stainless steel	Available in aluminum or stainless steel

10mm / 3/8"

006	017
	
	
Banjo fitting 10 mm / 3/8"	Banjo fitting 10 mm / 3/8"
60°	70°
Available in aluminum	Available in aluminum
019	020
	
	
Banjo fitting 10 mm / 3/8"	Banjo fitting 10 mm / 3/8"
90°	Lateral 20°
Available in aluminum or stainless steel	Available in aluminum

Banjo Fittings - 10mm / 3/8"

SEE PAGE 13 to choose from any one of 9 anodized aluminum fitting colors.

Banjo Fittings - 10mm / 3/8"

SEE PAGE 13 to choose from any one of 9 anodized aluminum fitting colors.

10mm / 3/8"	022	024
	Banjo fitting 10 mm / 3/8"	Banjo fitting 10 mm / 3/8"
	Lateral left 20° + 20°	Lateral left 20° + 45°
	Available in aluminum	Available in aluminum
	032	034
Banjo fitting 10 mm / 3/8"	Banjo fitting 10 mm / 3/8"	
Lateral right 20° + 20°	Lateral right 20° + 45°	
Available in aluminum	Available in aluminum	

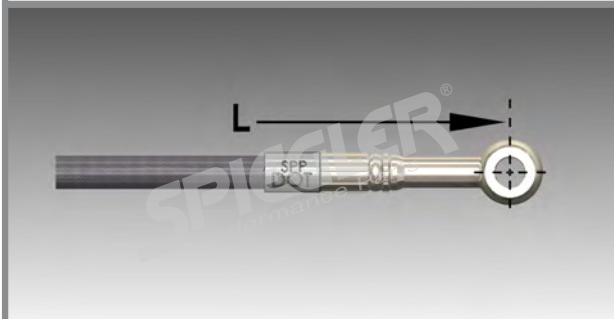
10mm / 3/8"	040	090
	Banjo fitting 10 mm / 3/8"	Banjo fitting 10 mm / 3/8"
	Lateral 40°	Lateral 90°
	Available in aluminum	Available in aluminum
	940	941
Banjo fitting 10 mm / 3/8"	Banjo fitting 10 mm / 3/8"	
2-way straight	2-way straight + 20° lateral	
Available in aluminum	Available in aluminum	

Banjo Fittings - 6mm

SEE PAGE 13 to choose from any one of 9 anodized aluminum fitting colors.

6mm

680



Banjo fitting 6 mm
Straight
Available in aluminum

682



Banjo fitting 6 mm
20°
Available in aluminum

690



Banjo fitting 6 mm
Lateral 90°
Available in aluminum

Banjo Fittings - 8mm

SEE PAGE 13 to choose from any one of 9 anodized aluminum fitting colors.

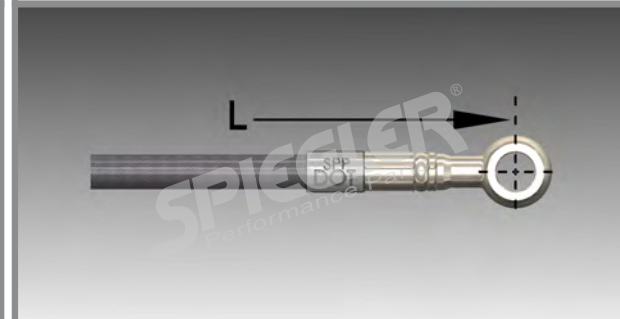
8mm

800



Banjo fitting 8 mm
Straight
Available in aluminum

801



Banjo fitting 8 mm
Straight, short
Available in aluminum

890



Banjo fitting 8 mm
Lateral 90°
Available in aluminum

Banjo Fittings - 7/16"

SEE PAGE 13 to choose from any one of 9 anodized aluminum fitting colors.

7/16"

100	102
Banjo fitting 7/16"	Banjo fitting 7/16"
Straight	20°
Available in aluminum	Available in aluminum
104	119
Banjo fitting 7/16"	Banjo fitting 7/16"
45°	90°
Available in aluminum	Available in aluminum

Banjo Fittings - 12mm

SEE PAGE 13 to choose from any one of 9 anodized aluminum fitting colors.

12mm

200	202
Banjo fitting 12 mm	Banjo fitting 12 mm
Straight	20° bend
Available in aluminum or stainless steel	Available in aluminum
219	232
Banjo fitting 12 mm	Banjo fitting 12 mm
90° bend	Lateral right 20° + 20°
Available in aluminum	Available in aluminum

External Threaded Fittings - M10x1.00, Swivel

External Threaded Fittings - M10x1.00, Swivel & Fixed

M10x1.00, Swivel

410	412
Swivel external thread M10 x 1.00	Swivel external thread M10 x 1.00
Straight, cone 90° concave/convex	20°, cone 90° concave/convex
X = 15 mm, wrench size = 11 mm	X = 15 mm, wrench size = 11 mm
Available in stainless steel	Available in stainless steel
414	417
Swivel external thread M10 x 1.00	Swivel external thread M10 x 1.00
45°, cone 90° concave/convex	70°, cone 90° concave/convex
X = 15 mm, wrench size = 11 mm	X = 15 mm, wrench size = 11 mm
Available in stainless steel	Available in stainless steel

M10x1.00, Swivel





418	419
Swivel external thread M10 x 1.00	Swivel external thread M10 x 1.00
90°, cone 90° concave/convex	90°, cone 90° concave/convex
X = 15.5 mm, wrench size = 14 mm	X = 15 mm, wrench size = 11 mm
Available in stainless steel	Available in stainless steel
510	511
Fixed external thread M10 x 1.00	Fixed external thread M10 x 1.00
Straight, cone 90° concave/convex	Straight, cone 90° concave
X = 12.3 mm, wrench size = 14 mm	X = 10 mm, wrench size = 14 mm
Available in aluminum or stainless steel	Available in aluminum



M10x1.00, Fixed

External Threaded Fittings - M10x1.00, Fixed





External Threaded Fittings - M10x1.25, Swivel





M10x1.00, Fixed

512	513
	
	
Fixed external thread M10 x 1.00	Fixed external thread M10 x 1.00
Straight, cone 90° convex	Straight, cone 90° concave/convex
X = 15 mm, wrench size = 14 mm	X = 21.5 mm, wrench size = 14 mm
Available in aluminum	Available in aluminum or stainless steel

514


Fixed external thread M10 x 1.00
Straight, cone 90° concave/convex
X = 32 mm, wrench size = 14 mm
Available in stainless steel

M10x1.25, Swivel

420	422
	
	
Swivel external thread M10 x 1.25	Swivel external thread M10 x 1.25
Straight, cone 90° concave/convex	20°, cone 90° concave/convex
X = 14.5 mm, wrench size = 14 mm	X = 15 mm, wrench size = 11 mm
Available in stainless steel	Available in stainless steel

424	427
	
	
Swivel external thread M10 x 1.25	Swivel external thread M10 x 1.25
45°, cone 90° concave/convex	70°, cone 90° concave/convex
X = 15 mm, wrench size = 11 mm	X = 15 mm, wrench size = 11 mm
Available in stainless steel	Available in stainless steel

External Threaded Fittings - M10x1.25, Swivel & Fixed

External Threaded Fittings - 3/8"-24UNF, Swivel

M10x1.25, Swivel	428	429
	Swivel external thread M10 x 1.25 90°, cone 90° concave/convex X = 15.5 mm, wrench size = 14 mm Available in stainless steel	Swivel external thread M10 x 1.25 90°, cone 90° concave/convex X = 15 mm, wrench size = 11 mm Available in stainless steel

M10x1.25, Fixed	520
	Fixed external thread M10 x 1.25 Straight, cone 90° concave/convex X = 12.3 mm, wrench size = 14 mm Available in aluminum or stainless steel

3/8"-24UNF, Swivel	430	432
	Swivel external thread 3/8" - 24UNF Straight, cone 90° concave/convex X = 14.5 mm, wrench size = 14 mm Available in stainless steel	Swivel external thread 3/8" - 24UNF 20°, cone 90° concave/convex X = 15 mm, wrench size = 11 mm Available in stainless steel

3/8"-24UNF, Swivel	434	437
	Swivel external thread 3/8" - 24UNF 45°, cone 90° concave/convex X = 15 mm, wrench size = 7/16" Available in stainless steel	Swivel external thread 3/8" - 24UNF 70°, cone 90° concave/convex X = 15 mm, wrench size = 11 mm Available in stainless steel

External Threaded Fittings - 3/8"-24UNF, Swivel

External Threaded Fittings - 3/8"-24UNF, Fixed

3/8" - 24UNF, Swivel	438	439
		
		
	Swivel external thread 3/8" - 24UNF	Swivel external thread 3/8" - 24UNF
	90°, cone 90° concave/convex	90°, cone 90° concave/convex
X = 15.5 mm, wrench size = 1/2"	X = 15 mm, wrench size = 7/16"	
Available in stainless steel	Available in stainless steel	

3/8" - 24UNF, Fixed	530	531
		
		
	Fixed external thread 3/8" - 24UNF	Fixed external thread 3/8" - 24UNF
	Straight, cone 90° concave/convex	Straight, cone 90° concave/convex
X = 12.3 mm, wrench size = 14 mm	X = 9.6 mm, wrench size = 14 mm	
Available in aluminum or stainless steel	Available in aluminum	

533


Fixed external thread 3/8" - 24UNF
Straight, cone 90° concave/convex
X = 21.5 mm, wrench size = 14 mm
Available in stainless steel

External Threaded Fittings - M12x1.00, Swivel & Fixed

External Threaded Fittings - 7/16"-20UNF, Swivel & Fixed

M12x1.00, Swivel	450	458
	Swivel external thread M12 x 1.00	Swivel external thread M12 x 1.00
	Straight, cone 90° concave/convex	90°, cone 90° concave/convex
	X = 15.5 mm, wrench size = 17 mm	X = 15.5 mm, wrench size = 14 mm
	Available in stainless steel	Available in stainless steel





7/16"-20UNF, Swivel	470
	Swivel external thread 7/16"- 20UNF
	Straight, Harley-Davidson clutch, uses OEM o-ring
	X = 17 mm, wrench size = 7/16"
	Available in stainless steel





M12x1.00, Swivel & Fixed	459	550
	Swivel external thread M12 x 1.00	Fixed external thread M12 x 1.00
	90°, cone 90° concave/convex	Straight, cone 75° concave / 90° convex
	X = 14 mm, wrench size = 14 mm	X = 16 mm, wrench size = 17 mm
	Available in aluminum or stainless steel	Available in aluminum

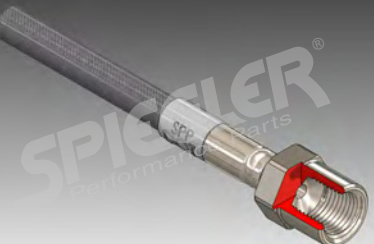


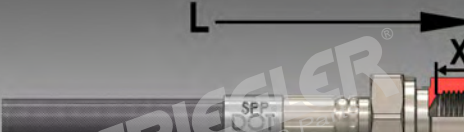
7/16"-20UNF, Fixed	540
	Fixed external thread 7/16"- 20UNF
	Straight, cone 90° concave/convex
	X = 13 mm, wrench size = 14 mm
	Available in aluminum

External Threaded Fittings - 1/8 BSPT & 1/8 NPT, Fixed

Internal Threaded Fittings - M10x1.00, Swivel & Fixed

1/8 BSPT & 1/8 NPT, Fixed	590	591
		
		
	Fixed external thread 1/8 BSPT 1/8 pipe size British Standard Pipe Thread, 28 threads per inch X = 9.8 mm, wrench size = 11 mm Available in stainless steel	Fixed external thread 1/8 NPT 1/8 pipe size National Pipe Thread, 27 threads per inch X = 9.8 mm, wrench size = 11 mm Available in stainless steel









M10x1.00, Swivel	610	618
		
		
	Swivel internal thread M10 x 1.00 Straight, cone 120° convex X = 8 mm, D = 13.5 mm diameter, wrench size = 14 mm Available in aluminum	Swivel internal thread M10 x 1.00 90°, cone 90° concave/convex X = 8.7 mm, D = 13.5 mm diameter, wrench size = 14 mm Available in stainless steel

M10x1.00, Fixed	710	711
		
		
	Fixed internal thread M10 x 1.00 Straight, cone 120° concave X = 10 mm, D = 13.5 mm diameter, wrench size = 14 mm Available in aluminum or stainless steel	Fixed internal thread M10 x 1.00 Straight, cone 120° concave, 3 mm circlip groove X = 9.6 mm, D = 15.8 mm diameter, wrench size = 17 mm Available in aluminum




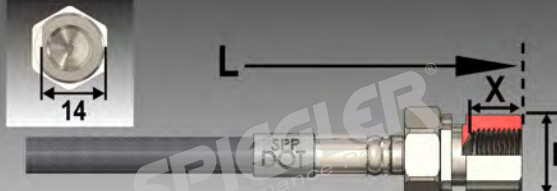




Internal Threaded Fittings - M10x1.00, Fixed

Internal Threaded Fittings - M10x1.00, Fixed

M10x1.00, Fixed

712P	713
	
	
Fixed internal thread M10 x 1.00	Fixed internal thread M10 x 1.00
Straight, cone 120° concave	Straight, cone 90° convex, 3 mm circlip groove
X = 10 mm, D = 13.6 mm diameter	X = 7.7 mm, D = 14.8 mm diameter, wrench size = 17 mm
Available in stainless steel	Available in aluminum or stainless steel
714	715
	
	
Fixed internal thread M10 x 1.00	Fixed internal thread M10 x 1.00
Straight, cone 120° concave, 1.5 mm circlip groove	Straight, cone 120° concave, 3.3 mm circlip groove
X = 9.9 mm, D = 13.8 mm diameter, wrench size = 17 mm	X = 7.8 mm, D = 15 mm diameter, wrench size = 17 mm
Available in stainless steel	Available in stainless steel


M10x1.00, Fixed

716	782
	
	
Fixed internal thread M10 x 1.00	Fixed internal thread M10 x 1.00
Straight, cone 90° convex, 3.3 mm circlip groove	Straight, cone 120° concave, 3.3 mm circlip groove, 14 mm flat side
X = 10 mm, D = 15 mm diameter, wrench size = 17 mm	X = 9.6 mm, D = 15.8 mm diameter, wrench size = 17 mm
Available in stainless steel	Available in stainless steel
810	830
	
	
Fixed internal thread M10 x 1.00	Fixed internal thread M10 x 1.00
Straight, cone 120° concave	Straight, cone 120° concave
X = 10 mm, D = M16 x 1.00, wrench size = 17 mm	X = 11.3 mm, D = M16 x 1.00, wrench size = 17 mm
Available in aluminum	Available in aluminum

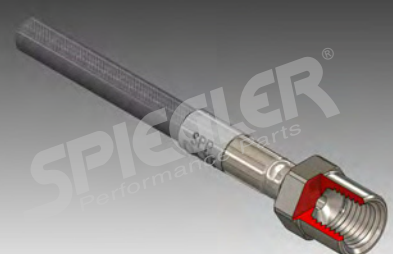


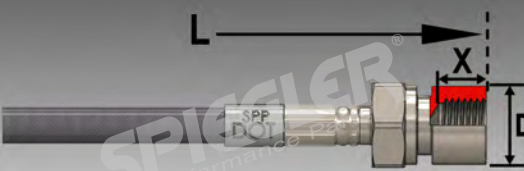
Internal Threaded Fittings - M10x1.25, Swivel & Fixed

Internal Threaded Fittings - 3/8"-24UNF, Swivel & Fixed



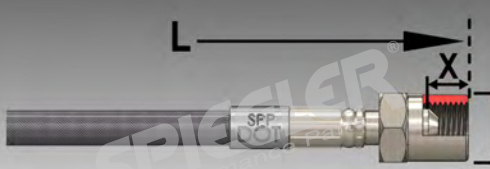

M10x1.25, Swivel



620	628
	
	
Swivel internal thread M10 x 1.25	Swivel internal thread M10 x 1.25
Straight, cone 90° convex	90°, cone 90° concave/convex
X = 8 mm, D = 13.5 mm diameter, wrench size = 14 mm	X = 8.7 mm, D = 13.5 mm diameter, wrench size = 14 mm
Available in aluminum	Available in stainless steel

M10x1.25, Fixed

720	721
	
	
Fixed internal thread M10 x 1.25	Fixed internal thread M10 x 1.25
Straight, cone 120° concave	Straight, cone 120° concave, 3 mm circlip groove
X = 10 mm, D = 13.5 mm diameter, wrench size = 14 mm	X = 9.6 mm, D = 15.8 mm diameter, wrench size = 17 mm
Available in aluminum	Available in aluminum

3/8"-24UNF, Swivel & Fixed

630	631
	
	
Swivel internal thread 3/8" - 24UNF	Swivel internal thread 3/8" - 24UNF
Straight, cone 90° convex	Straight, cone 90° concave/convex
X = 8 mm, D = 13.5 mm diameter, wrench size = 14 mm	X = 8.5 mm, D = 13.5 mm diameter, wrench size = 14 mm
Available in aluminum	Available in aluminum

633	733
	
	
Swivel AN3 (3/8" - 24UNF)	Fixed internal thread 3/8" - 24UNF
Straight, cone 75° concave	Straight, cone 90° convex, 3 mm circlip groove
X = 9.7 mm, D = 11 mm diameter, wrench size = 7/16" mm	X = 9.6 mm, D = 15.8 mm diameter, wrench size = 17 mm
Available in stainless steel	Available in aluminum

Junctions

Spiegler Screw-on Fittings - System S

950, 951, Olive 120

950

Junction, 10 mm / 3/8"

3-way T fitting

Available in aluminum

951

Junction, 10 mm / 3/8"

3-way T fitting with mounting hole, ID 6.2mm

Available in aluminum

Olive 120

Olive 120°, ID 8.0mm

Part # 24-200850

Available in aluminum

"No Regrets"
Roland Sands
Performance Machine



Courtesy of Roland Sands

Designed for use by experienced dealerships and custom bike builders.